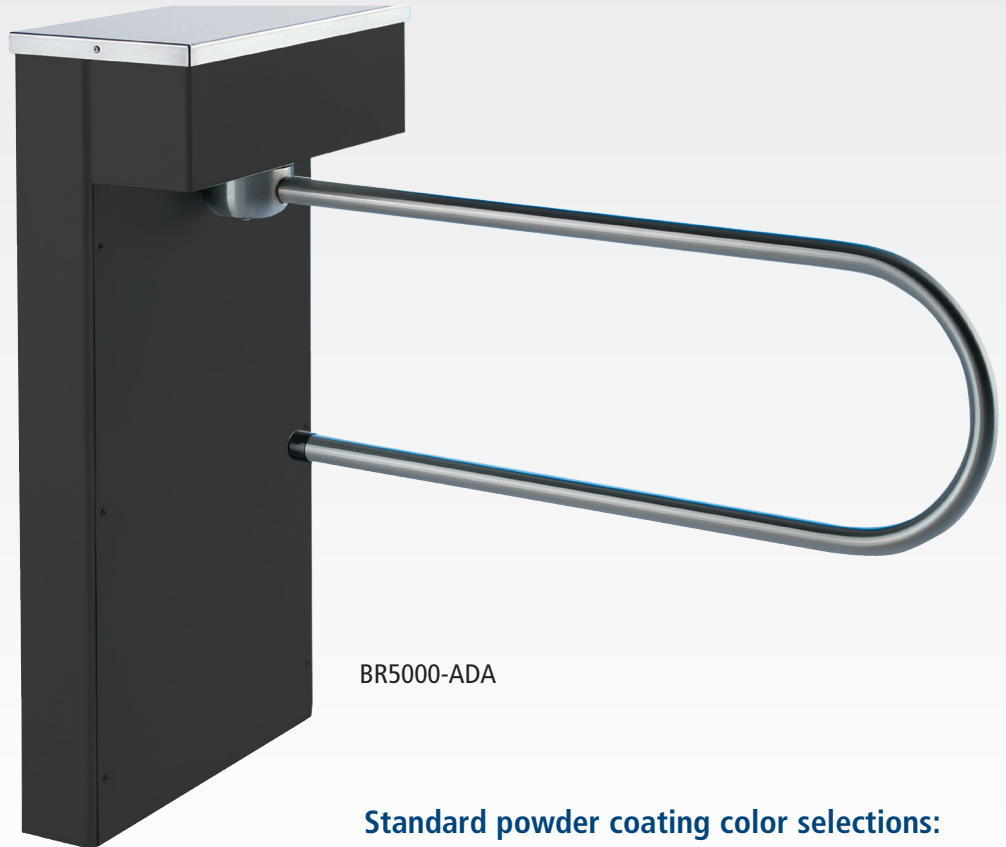


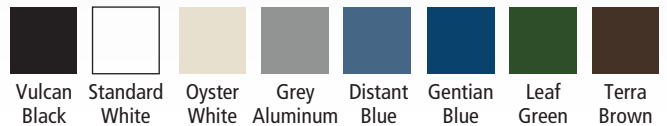
# The Brute™ Series Waist-High ADA Swing Gate • Interior and Exterior Application **BR5000-ADA**

The Brute™ Series units operate reliably with high traffic volumes where cost is an important consideration. Heavy 7-gauge carbon steel cabinets can be interfaced with optional LCD counters, card readers, push button and wireless remotes. This product is the ADA compliant sister unit to our BR5500 tripod turnstiles.



BR5000-ADA

### Standard powder coating color selections:



Additional colors are available and can be quoted upon request.

## We're the #1 Choice of Top Architects, Security Pros and Engineers

For two decades, Controlled Access has been the globally trusted name in pedestrian control equipment. Made in Ohio and shipped worldwide, we are the first choice of leading architects, facility managers, security consultants and engineers. Whether your project requires high security full-height turnstiles, waist-high units, or matching ADA accessible gates, Controlled Access is the secure choice. And, we're experienced in access control systems, from card readers to biometric scanning, to give you the power to control access.



# The Brute™ Series Waist-High

ADA Swing Gate • Interior and Exterior Application

**BR5000-ADA**



## Applications:

This versatile line of turnstiles is made for years of reliable service (and offers many options) where cost is an important consideration.

## Product Features:

### Materials and Finishes:

- Lid: Our signature 304 stainless steel / No. 4 satin finish
- Cabinet: Your choice of designer powder coat colors to match any décor. Black is standard.

### Design & Construction:

- Designed for secure and reliable operation with aesthetics in mind
- Cabinet upper and lower shells are constructed with rigid (7 gauge) carbon steel
- Cover is constructed with (14 gauge) 304 stainless steel, No. 4 satin finish
- Arm assembly constructed with 1 5/16" (33mm) diameter, (12 gauge) stainless steel
- Hub 4 1/2" (114mm) o.d. also made from stainless
- Minimal exposed hardware

### Measurements:

- Height: 37" (939.8mm)
- Width: 20.125" (511.1mm)
- Depth: 10.375 (263.5mm)
- Base: 4.375 (111.1mm)

## Operation:

### 6500 Series Control Head, featuring:

- Auto-indexing (self-centering) with adjustable hydraulic shock suppression
- Hardened tool steel locking bars, cam and roller assemblies
- Permanently lubricated bearings
- Your choice of manual or electronic control on both directions
- Nearly universal integration to any number of access control systems
- Your choice on each electronic direction of locking or unlocking on power failure

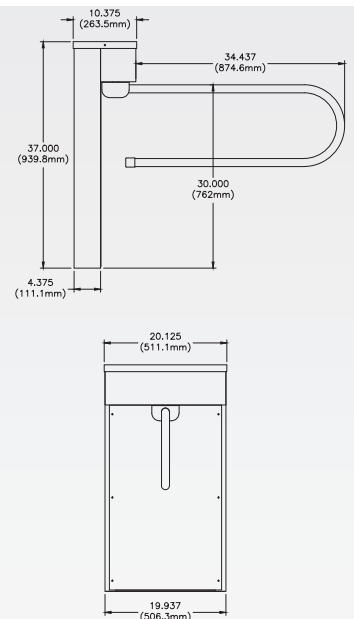
## Options:

- Bidirectional key overrides
- Daylight visible indicator lights
- 8 digit key resettable LCD counter with seven year lithium battery
- Variable arm lengths (up to 40")
- Signage brackets
- Straight arm (instead of U-arm)
- Additional options available on request

## Warranty:

Units are warranted against defects in materials and workmanship for a period of one year from date of delivery. See warranty information for specific details.

Have an older style Brute cabinet that you need to match?  
Just ask!



Dimensions are approximate.

## Electrical Specifications:

Input Voltage: 100-240 VAC  
 Input Current: 1.3 - .55 A  
 Frequency: 50/60 Hz  
 Storage Temperature: -4 to 158°F  
 Operating Temperature: 32 to 122°F  
 Operating Voltage: 24VDC  
 Operating Current: 1.2 A (typical)

## Standards and Codes:

Austenitic stainless steel:  
 ASTM A240, A249, A276  
 Hot rolled steel:  
 AISI C-1020, AISI C-1018  
 Hot dipped galvanizing:  
 ASTM A-143, ASTM A-153-80  
 Stainless steel fasteners:  
 ASTM A-320  
 American Welding Society (AWS)  
 Standard D 1.1