

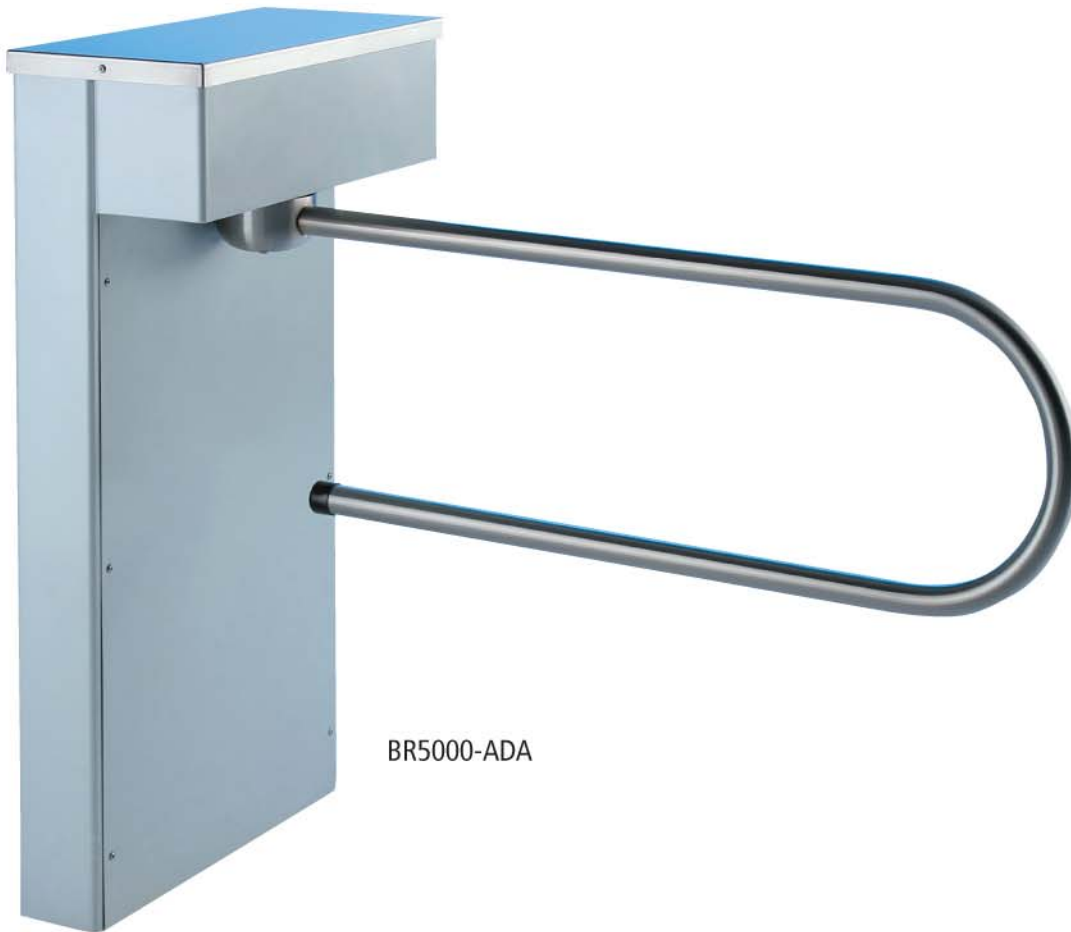
The Brute™ Series Waist-High

BR5000-ADA

Handicapped Accessible Gate • Interior and Exterior Application



The Brute™ Series units operate reliably with high traffic volumes where cost is an important consideration. Heavy 7-gauge metal cabinets can be interfaced with LCD counters, computer attendance systems, card readers coin/token acceptors, push-button and wireless remotes. Portable units (BR5000-P) are also available. Standard colors are black, gray, silvadilo and uni-cream with special powder coat colors available. As always, we offer an ADA compliant handicapped gate with this series. (BR5000-ADA).



BR5000-ADA



8641 South Warhawk Road Conifer, CO 80433
(303) 670-1099 x11 Patrick.McAllister@Turnstiles.us

The Brute™ Series Waist-High

BR5000-ADA

Handicapped Accessible Gate • Interior and Exterior Application



Applications:

This versatile line of turnstiles is made for years of reliable service (and offers many options) where cost is an important consideration.

Product Features:

Materials and Finishes:

- Standard Polyester Enamel (Powder coat) colors are black pearl, gray, uni-cream or silvadilo, with many other custom colors available.

Design & Construction:

- Designed for secure & reliable operation
- Cabinet inner and outer shells and cover are constructed of (14 gauge) 304 stainless steel/ No. 4 satin finish
- Arms constructed of 1 5/16" (33mm) diameter, (12 gauge) stainless
- Hub 4 1/2" (114mm) o.d. also made from stainless
- Minimal exposed hardware

Measures:

- Height: 37" (940mm)
- Width: 20" (508mm)
- Base: 10 1/4" (260mm)
- Depth: 4 1/2" (114mm)

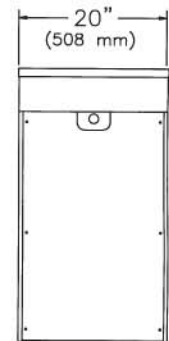
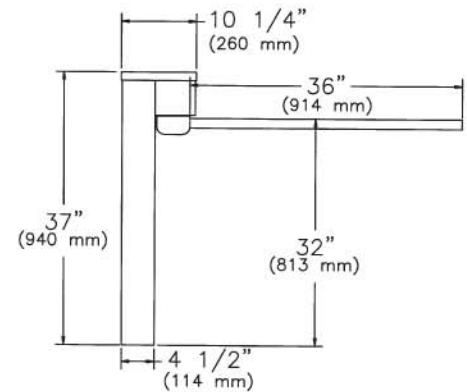
Controller & Access Control Operation:

- Self-centering control head with adjustable hydraulic shock suppression
- Hardened tool steel locking bars, cam and roller assemblies
- Permanently lubricated bearings
- All units are available in clockwise, counter-clockwise or bi-directional passage
- Keylock Feature - Control direction of travel manually by key (to lock/unlock), or may be used to override electronic controls

Options:

- Electronic lock modules include heavy-duty 24 vdc pull-type industrial solenoids:
- Available in each separate direction: fail-safe (open on power failure) or fail-lock (lock on power failure) modes
- Interfacing to card readers, computer attendance systems, coin and token acceptors, push buttons and wireless remote controls
- Electronic 6 digit resettable counter with LXD display and ten-year lithium battery
- Additional options available on request

Our matching ADA gate (model BR5000-ADA) is available for the Brute Series.



ENDURO™ Electronic Control Head

EA Controlled Traffic flow both directions

EB Controlled Traffic flow one direction, uncontrolled opposite direction

EC Controlled Traffic flow one direction, no traffic flow opposite direction

ENDURO™ Manual Control Head

MD Uncontrolled traffic flow one direction, no traffic flow opposite direction

MF Uncontrolled traffic flow both directions

MG Key controlled each direction



8641 South Warhawk Road Conifer, CO 80433
(303) 670-1099 x11 Patrick.McAllister@Turnstiles.us

Electrical Specifications:

Command module input 110-240 VAC (2 amp-1 amp) 50-60 Hz; control voltage 24 VDC. All electrical components are UL recognized and CSA certified.

Standards and Codes:

Austenitic stainless steel: ASTM A240, A249, A276
Hot rolled steel: AISI C-1020, AISI C-1018
Hot dipped galvanizing: ASTM A-143, ASTM A-153-80
Stainless steel fasteners: ASTM A-320
American Welding Society (AWS) Standard D 1.1

Warranty:

Units are warranted against defects in materials and workmanship for a period of one year from date of delivery. See warranty information for specific details.