
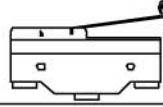
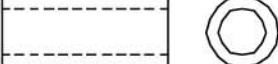




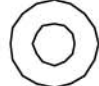
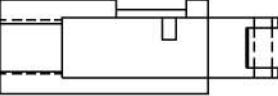


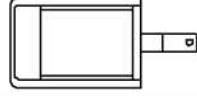


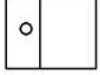

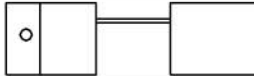
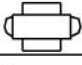
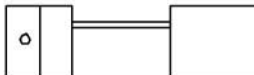
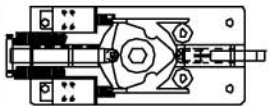




www.TURNSTILES.us
 8641 South Warhawk Rd.
 Conifer, Colorado 80433
 Tel: 303-670-1099 ext 11
 Patrick McAllister

PARTS LIST FOR CA-6100 SERIES CONTROL HEAD
 3000, 4000, 5000 TURNSTILES AND ADA GATES, CA-427, CA-430
 FOR CAM ASSEMBLIES SEE CAM PRICE SHEET
 ALL PRODUCTS ON THIS PAGE ARE SHIPPED UPS F.O.B. HINCKLEY, OHIO
 PRICES SUBJECT TO CHANGE WITHOUT NOTICE

★ RECOMMENDED SPARE PARTS

	PRICE		PRICE
	CA-6032 INDEX PIN \$35.86		CA-2180 LIMIT SWITCH MICRO BZ-2RW82-A2 ★ \$19.41
	CA-6020 INDEX TUBING \$8.78		CA-2267 LIMIT SWITCH CAM \$27.94
	CA-1108 LIGHT SPRING FOR WAIST HIGH WIRE DIA. .075 OSHKOSH-OES 167C-6 \$4.47		CA-1221 3" HUB-EBS WAIST HIGH UNITS ONLY \$60.19
	CA-1108 HEAVY SPRING FOR FULL HEIGHT WIRE DIA. .085 OSHKOSH-OES 168C-6 \$5.37		CA-2187 SPACER \$1.25
	CA-6035 SHOCK ROLLER ASSEMBLY \$83.74		CA-2160 TRANSTORQUE FENNER MANHEIM - 6202160 WAIST HIGH UNITS ONLY \$89.55
	CA-6060 HYDRAULIC SHOCK ABSORBER ENIDINE-OEM .5 ACE CONTROLS - MA225NB-10 \$117.56		CA-6051 SOLENOID GUARDIAN-4-C-24VDC DELTRON 53717-B2 ★ \$36.53
	CA-1641 BEARING GENERAL 1641DCG \$19.48		CA-1107 SOLENOID SPRING ★ \$0.97
	CA-6018 LOCKING PAWL (STANDARD) ★ \$15.12		CA-788 COMMAND MODULE \$152.10
	CA-6018-KL LOCKING PAWL (KEY LOCK) ★ \$45.36		CA-78D 24 VDC 3 AMP POWER SUPPLY \$39.00
	CA-6018-F0 LOCKING PAWL (FAIL OPEN) ★ \$45.36		CA-6100 COMPLETE CONTROL HEAD TURNSTILE, ADA GATE, OR FULL HEIGHT MANUAL ONE WAY/TWO WAY \$600.00 MANUAL KEY CONTROLLED \$800.00 ELECTRONIC ONE WAY \$868.00 ELECTRONIC TWO WAY \$920.00 ELECTRONIC TWO WAY FAIL OPEN \$1010.00 ELECTRONIC TWO WAY WITH KEY OVER-RIDE \$1170.00



8641 South Warhawk Road Conifer, CO 80433
 (303) 670-1099 x11 Patrick.McAllister@Turnstiles.us