

Securitron® R100 Wireless Reader and Aperio® Hub

Surface mounted—no drilling



The R100 surface mounted wireless reader with Aperio technology offers an elegant way to extend access control to glass, stone, granite or marble entryways.

Installation is easy, requires no drilling or pulling of wires and can adhere in minutes. A complement to ASSA ABLOY electrified locking devices, including electromagnetic locks, electrified strikes, electric locks and electrified exit devices, glass entryways can now integrate robust access control while maintaining a clean, wireless appearance.

Features

Standard Features

- Adheres to glass surface without any connecting wires
- Online transaction audit trail capability
- Low battery signaling and reporting
- Green status LED indicator
- Shortened wire pull from panel to hub provides cost benefit in installation
- Fully-encrypted AES 128 wireless communication
- SecuriCare three-year, no fault, no questions asked warranty

Optional Features

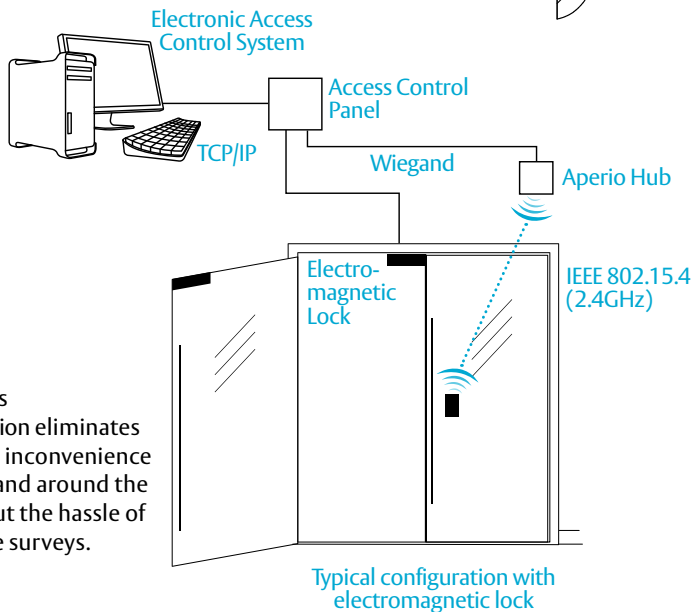
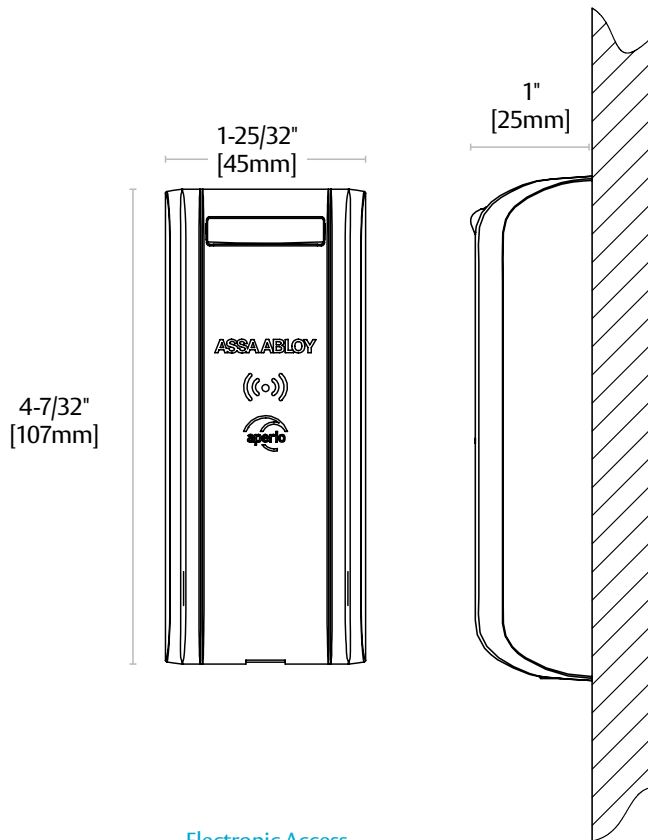
- iCLASS (SE) or Prox (PA) card technology



Note: The Securitron R100 card reader is available as either a pre-paired reader and hub kit (no certification required) or as a field configurable component (requires Aperio® Certified Integrator certification). Pre-paired kits support limited features, field configured devices are required in order to support all options. Visit www.IntelligentOpenings.com to learn more.



Dimensions



Local wireless communication eliminates the cost and inconvenience of wiring in and around the door, without the hassle of complex site surveys.

Typical configuration with electromagnetic lock

Specifications

Certifications

- FCC Part 15
- IC Compliant

Electrical

- 40,000 cycles
- (1) 3V "CR2" lithium battery (included)
- Low battery signaling and reporting

Operating Temperature

- -40 to +122F [-40 to +50C]
- Indoor or outdoor use

Shipping Weight

- 2.83oz [80g]

Card Technology

- **High Frequency (13.56 MHz)**
 - HID iCLASS®
 - HID iCLASS SE® (SIO-enabled)
 - HID iCLASS® Seos®
 - ISO 14443b UID
 - MIFARE Classic™
 - MIFARE Plus™
 - MIFARE DESfire™ EV1
 - MIFARE DESfire™ SE
- **Low Frequency (125 kHz)**
 - HID® Prox
 - EM Prox
 - AWID Prox
- NFC-enabled Mobile Phones

How to Order

Series	Model	Card Technology
R100	- 1H	- SE
R100 Aperio® Wireless Reader	1H Factory Paired*	PA HID 125 KHz Prox SE HID 1356 MHz iClass SE

*Kit includes integrated lock paired with Wiegand 1:1 wireless hub